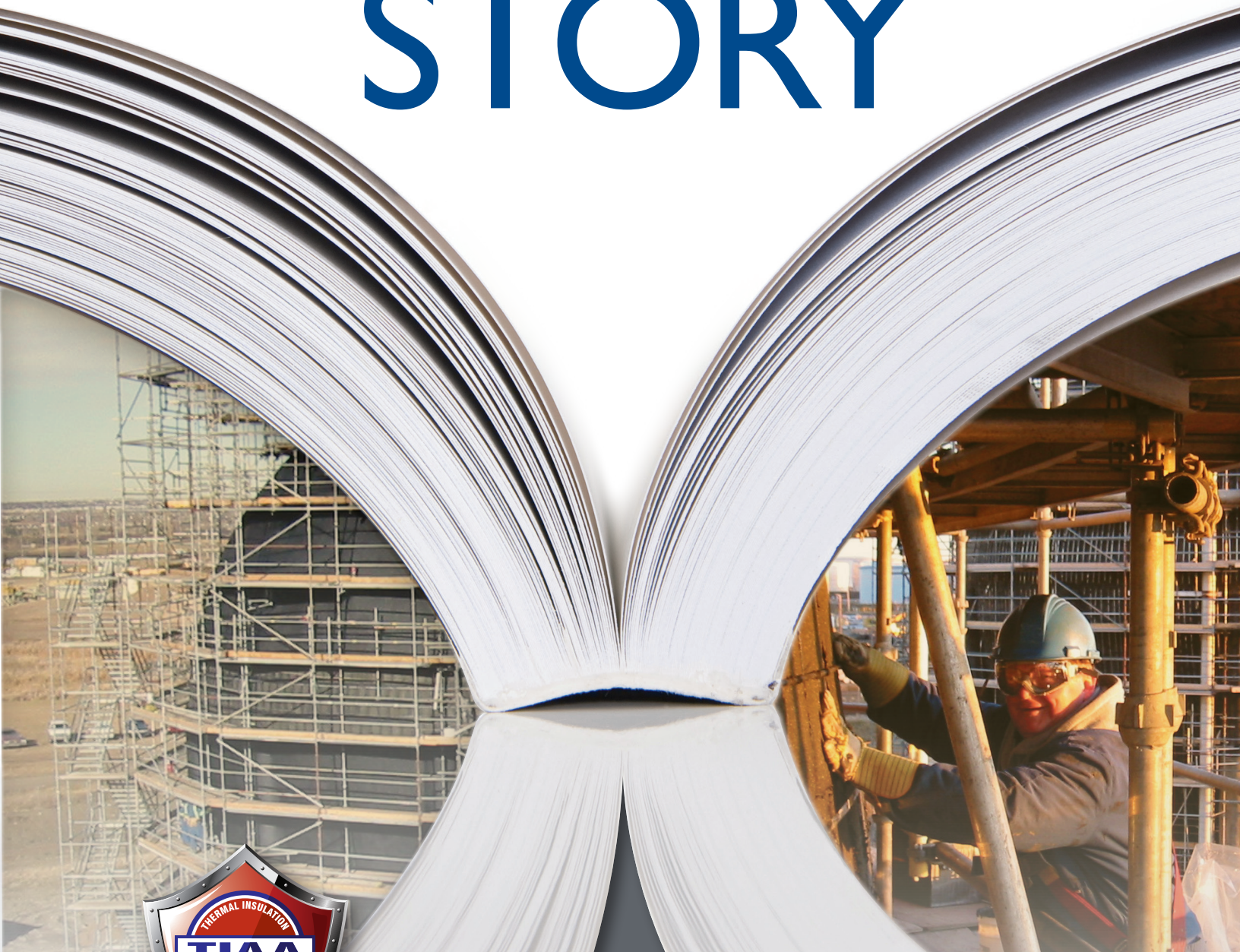


SHARING THE STORY



2012 TIAA ANNUAL REPORT

TABLE OF CONTENTS

Sharing the Mechanical Insulation Story.....	4 – 5
Thank You to the 2011 - 2012 Board.....	6
2013 Annual General Meeting Agenda.....	7
2012 Annual General Meeting Minutes.....	8–10
Committee Reports	
AEEA Representative.....	11
Apprenticeship	12
Labour.....	13
TIAC	14
TIAA Membership – On the Grow!	15

MISSION STATEMENT

TIAA's mission is to improve and elevate the technical and general knowledge of the mechanical insulation industry in Alberta, promoting excellence in manufacture, application and installation of all insulation products and materials, with just and honorable practice in the conduct of business.

OBJECTIVES:

- 1. To promote the consideration and discussion of all matters affecting the insulation industry.*
- 2. To promote cooperation amongst the members on all matters affecting the insulation industry.*
- 3. To interact with and provide facilities for any public or private bodies in matters affecting the insulation industry.*
- 4. To improve and elevate the technical and general knowledge of persons engaged in the insulation industry.*
- 5. To promote excellence in the manufacture, application and installation of all insulation products and materials, together with just and honorable practice in the conduct of business and to suppress malpractice.*
- 6. Thermal Insulation Association of Alberta shall be non-political and non-sectarian.*

SHARING THE MECHANICAL INSULATION STORY

THE YEAR IN REVIEW

TIAA invested significantly in marketing initiatives last year, what with the birth of Captain Insulation and the development of his accompanying video, the development of a new TIAA booth (which was test-driven at the Global Petroleum Show), and participation in sponsorship opportunities designed to give high profile to TIAA within the energy efficiency community (such as our gold-level sponsorship of the February AEEA event, “Becoming the National Leader in Energy Efficiency”).

In 2013, TIAA will be developing a Marketing Committee, which will carry forward the good momentum started last year, and determine the best use of TIAA’s marketing resources to help share the mechanical insulation story. If you have an interest in serving on this committee, please contact the TIAA office.

Other ways in which TIAA continues to share the mechanical insulation story? By growing our membership! Welcome aboard to the following new members who have joined the TIAA fold since our 2012 Annual General Meeting:

- Absolute Insulation
- Armacell LLC
- Aspen Aerogels
- Cornerstone Industrial
- IHC Fabrication
- Kandrea Insulation
- Price Manufacturing Corp.
- Sol Thermal Inc.

Our members have been given ample opportunity to get together throughout the year, as TIAA continues to subsidize industry social gatherings – the North Chapter BBQ in September, the semi-annual meeting in late November, the North Chapter ski trip in mid-March, the South Chapter BBQ in mid-April, the chapter lunches in February, April and December, and of course, the Annual General Meeting and dinner, followed by the annual golf tournament.

Why not take advantage of the opportunity to share your own story? As part of the quarterly newsletter that TIAA distributes to the membership, is a member profile. Adler Insulation, Albrico Kaefer and Total-R Insulation Solutions have been profiled in previous issues – if you would like to see your organization profiled in an upcoming issue of *InsulationQuarterly*, please contact the TIAA office.

Thanks to all our members for their continued support and involvement with TIAA, as we work together towards a happily ever after.



MY HERO!!

TIAA participated in the 2012 Global Petroleum Show, which took place in Calgary at the Stampede Grounds from June 12 – 14. Captain Insulation made his way around the show, creating a stir with the ladies, and ensuring to visit the TIAA members who were also in attendance at the show: 3M Canada Company, Altair Contracting, Park Derochie and Tempco Tec. 60,000 delegates passed through the doors at this three-day show.



Top Insulator Award winner **Lowell Harder** (left) receives congratulations from John Garman.

Visit the TIAA website at www.tiaa.cc to see more event photos.

THANK YOU TO THE 2011 – 2012 BOARD

TIAA Northern Chapter

President (Provincial) - Mark Trevors

Vice President - Pat Pearson

Director - Dan Gagne

Director - Rob Davis

TIAA Southern Chapter

President, Past President
& Treasurer - Laurie Peloquin

Vice President - Wheeler Boys

Director - Doug Warnick

Director - Murray Wedhorn

Committees

Labour Relations

Pat Pearson

Apprenticeship

Paul Blinzer, Duane Sylvester

Skills Committee

Paul Blinzer, Geoff Harrison,
John Garman, Ron Milich

Occupational Health & Safety

Ron Conroy

TIAC Contractor's Representative

Mark Trevors

Social

North - Jason Meikle

South - Murray Wedhorn

TIAA Scholarships

Paul Blinzer, Mark Trevors and
Bill Book

TIAA Trade Promotion (PITA)

Bill Book, Geoff Harrison and
Murray Wedhorn



2013 ANNUAL GENERAL MEETING

RED DEER LODGE • RED DEER, ALBERTA

Thursday, May 23, 2013 • 4:00 PM

AGENDA

1. Call to Order; Proxies Announced and Confirmation of Quorum
2. Motion to Accept the Agenda
3. Approval of the Minutes of the 2012 Annual General Meeting
4. Committee Reports
 - Labour
 - Apprenticeship
 - Marketing
 - OH & S
 - Social
 - AEEA Representative
 - TIAC Report
5. Treasurer's Report
 - Financial Statements and Auditors Report
 - Appointment of an Auditor for the 2013 Year
6. Other Business
7. Presentation from Walter Keating, President of TIAC
8. Adjournment



2012 ANNUAL GENERAL MEETING MINUTES

RED DEER LODGE • RED DEER, ALBERTA

Thursday, May 24, 2012 • 4:00 pm

In attendance:

Absolute Insulation	Jaimie Hunter
Adler Insulation (2005) Ltd.	Curtis Schoepp Kirsten Werning
Albrico Kaefer Services Ltd.	Wheeler Boys Bruce MacDonald
Book Insulations Ltd.	Pat Pearson
Burnaby Insulations/SPI	Chris Ishkanian
Crossroads C & I Distributors	Derek Haun Adam Miller Mike Noel David Sonoski Murray Wedhorn
Hallbook Enterprises	Travis Book
Ideal Products of Canada Ltd.	James Low Jeff Pasay
Manson Insulation Products	Louis Basque
NAIT	Jamie Willis
Northern Insulation	Kevin Botha
Nu-West Construction Products	Glen Belyea
Parker Kaefer	Ray Brown Mark Trevors
Reflex Manufacturing Ltd.	Jason Meikle
Steels Industrial Products Ltd.	Michael Schouten David Ieruella
Tempro Tec Inc.	Jean Leeder Doug Warnick
Thomas Insulation Inc.	Laurie Peloquin
Westerra Insulation Inc.	Daniel Gagne
Wrapex Industrial Services	Phil Bryant Jeff Collins Jeff Ewasko
TIAA Office	Spryng Kubicek

Members absent:

3M Canada Company
Aecon Lockerbie Industrial Inc.
Alberta Heat Savers Inc.
Alberta Insulation Supply & Service
Altair Contracting
Amity Insulation Group Inc.
Barrier Insulation
Brock White Canada Company
C.J. Metal Erectors Ltd.
Connelly Industrial Insulation
Dewar Western Inc.
Firwin
Fuller Austin Inc.
HADROB Contracting Ltd.
IIG-LLC
Insul Covers Inc.
Inter City Insulation
ITW Insulation Systems Canada
Johns Manville Corporation
Knauf Insulation
Matkovic Contracting
Matkovic Holdings Ltd.
Maverick Insulation and Maintenance
Park Derochie Coatings Ltd.
Plasti Fab
Pro Insul Limited
Pro-Tech Insulation
R & M Insulation Ltd.
REPPSCO Services Ltd.
Roxul Insulation
SAIT
Silverline Insulation
Smits Insulation
Thermal Systems KWC Insulation
Total-R Inc.
Tri Western Insulation Ltd.
Westcal Insulation Ltd.
Westcor Services Limited
Western Viking Supply Inc.
Westgate Insulation (1993) Ltd.
Westglas Insulation Ltd.
Wil-Therm Insulation Inc.

1. Call to Order, Proxies Announced and Confirmation of Quorum

Quorum was verified by Spryng Kubicek. Mark Trevors called the meeting to order at 4:08 pm.

2. Introduction of New Members

Absolute Insulation and Aspen Aerogels have been approved as new members.

3. Motion to Accept the Agenda

Agenda item #6 Committee Reports/OH&S Report was removed.

Moved by Curtis Schoepp that the agenda be approved as amended

Seconded by Brent Plume

Carried.

4. Approval of the Minutes of the 2010 Annual General Meeting

Moved by Mike Noel that the minutes of November 25, 2010 be approved as circulated

Seconded by Glen Belyea

Carried.

5. Old Business

• Marketing Plan Update

The membership was updated on the new TIAA booth, the Captain Insulation video and plans for the June 12 – 14 Global Petroleum Show.

6. Committee Reports

- Labour
- Apprenticeship
- Social
- AEEA Representative
- TIAC

7. Treasurer's Report

• Financial Statements and Auditors Report

Moved by G. Belyea that the year-end reviewed financial statements as at December 31, 2011 be accepted as presented

Seconded by Phil Bryant

Carried.

• Appointment of an Auditor for the 2012 Year

Moved by Dave Iervella that Gryzko Harper Bouw be appointed as the auditing firm for the 2012 fiscal year

Seconded by Bruce MacDonald

Carried.

Continued on page 10

Continued from page 9

8. Other Business

• TIAC Conference Draw

Draws were made to cover registration fees for the TIAC Conference – the following five contractor members were drawn:

- Adler Insulation
- Albrico Kaefer
- Book Insulation
- Hallbook Insulation
- Northern Industrial Insulation

The following three supplier members were drawn:

- Crossroads C & I Distributors
- Ideal Products of Canada
- Steels Industrial Products

Moved by Ray Brown that the meeting be adjourned

Seconded by Jason Meikle

Carried.

Meeting adjourned at 5:15 pm.

AEEA REPRESENTATIVE

The Alberta Energy Efficiency Alliance (AEEA) held their AGM and quarterly Board meeting on May 8th in Calgary. The “year in review” was full of very positive information. Once again the annual event was a huge success, with a high profile keynote speaker and very good attendance in both numbers and quality of attendees.

AEEA representatives have gotten a very good reception from the current slate of government ministers and are actively engaged in conversations with both the Energy Ministry and the Ministry for Environment and Water. Alberta is currently one of only four jurisdictions in Canada and the United States that does not have committed ongoing funding in place for energy efficiency initiatives and we are seeing a real willingness at the moment to change this fact. We are optimistic that these discussions will start to translate into action soon and we hope to see something in the 2014 budget.

One recent highlight was the successful proposal to Calgary City Council to access a portion of the Council Innovation Fund to provide funding to the Calgary Energy Efficiency Innovation Lab (CEEIL). The Calgary Energy Efficiency Innovation Lab is a proposed partnership between Environmental and Safety Management (ESM), the AEEA and the Pembina Institute. The activities of CEEIL will encompass one of the four main focus areas of The City of Calgary’s Community GHG Reduction Plan: energy efficiency and conservation. More information can be found at:

<http://agendaminutes.calgary.ca/sirepub/cache/2/gzwbj455Inak5545nrgh4uvr/15624505102013032349520.PDF>

The AEEA’s financials are strong at the moment due to increased membership and excellent support for the events by way of sponsorships. An audit was recently done and all financials are in order.

Finally, the election of board members was held and your TIAA representative is now also a director on the board of the AEEA.

Regards,
Eric Ludwig



A L B E R T A

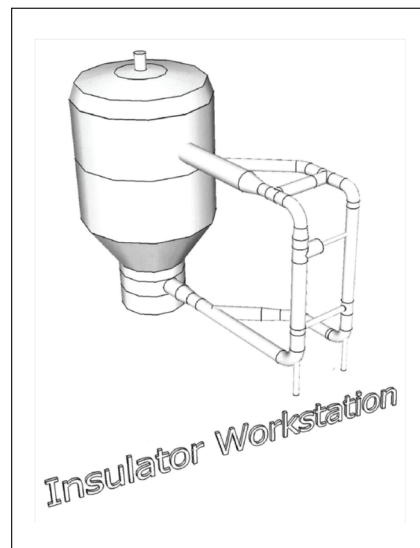
Energy Efficiency Alliance

APPRENTICESHIP (NAIT)

CLASS	COURSE OFFERING FOR 2013/2014	MAXIMUM SEATS AVAILABLE
1ST YEAR	September 3 – October 18, 2013	24
	December 9 2013 – February 7, 2014	24
	February 10 – March 28, 2014	24
	May 20 – July 2, 2014	24
2ND YEAR	October 21 – December 6, 2013	24
	December 9, 2013 – February 7, 2014	24
	March 31 – May 16, 2014	24
	May 20 – July 4, 2014	24
3RD YEAR	September 3 – October 18	24
	October 21 – December 6, 2013	24
	February 10 – March 28, 2014	24
	March 31 – May 16, 2014	24

The NAIT Insulator Program would like to welcome Chantel Smith as a temporary sessional instructor to cover Regis Sevigny while he is working on the new course packs.

As a follow up from our last report, the physical address of our new facility (photos below) is 11637 -149 Street in Edmonton. Renovations will be completed for the September classes.



This is the proposed workstation that will include one pipe rack on all four quadrants. These pipe racks are designed to accommodate the new course outline.

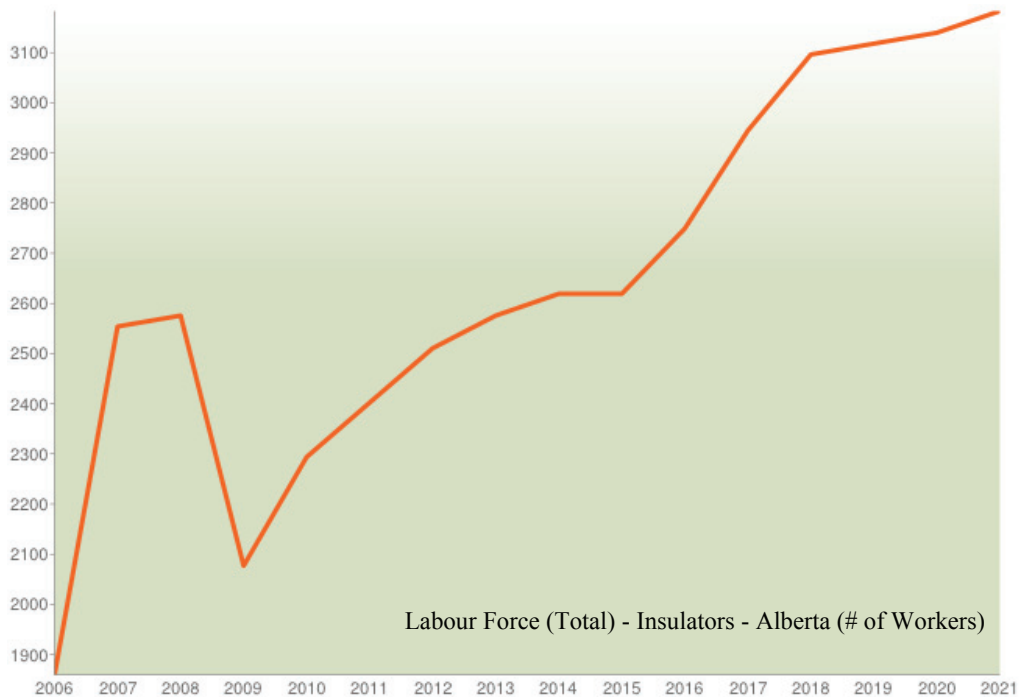
LABOUR

Here are some highlights from the recently released Construction Looking Forward, National Summary 2013-2021, published by the Construction Sector Council:

- The construction industry will need to recruit more than 250,000 workers, including the traditional number of new entrants to the workforce, to meet building needs from now until 2021 in Canada
- 84% of this will be to replace retiring workers
- The Alberta labour force will expand by 14,000 workers between 2013 – 2021
- During this same period, replacement demand is forecasted at 30,000

- First time new entrants to the Alberta labour market are estimated at 23,000 – which leaves a 21,000 projected shortfall for workers
- The following trades have been identified as those that will likely face recruiting challenges in Alberta given the current situation and the potential increase in oil sands projects:

- | | |
|-----------------|---------------------|
| Boilermakers | Ironworkers |
| Bricklayers | Sheet metal workers |
| Carpenters | Steamfitters |
| Crane operators | Pipefitters |
| Insulators | Welders |



COMMITTEE REPORTS

TIAC

The TIAC Board meeting took place in Thunder Bay on Saturday, May 11th and Sunday May 12th. The meeting was well attended from all across the country. All provinces gave their reports and the concerns were discussed between all on manpower, materials and union agreements expiring. A balanced budget was developed and agreed upon by all board members and will be submitted for approval at the AGM in Thunder Bay in August. More focus was on what we are spending to help the TIAC membership and where potential additional funds can go to if available.

A presentation and review was done on the conference coming up in Thunder Bay, Ontario in August. Basically all is done with a few minor details to finish. Registration forms are out and can be completed online through the TIAC website. Walter Keating and his group have worked very hard to make sure this event is a success for all people attending.

The conferences coming up are as follows:

2013 THUNDER BAY, ONTARIO, AUGUST 16TH – 20TH

2014 VICTORIA, BC, SEPTEMBER

2015 CHARLOTTETOWN, PEI, AUGUST

2016 SASKATOON, SK, SEPTEMBER

2017 TORONTO, ONTARIO, SEPTEMBER

Sue Ryan has left The Willow Management Group and Anne Stacey has replaced her. Please be patient as Anne learns the ropes on how everything works.

TIAC Times is being produced by a third party (Point One Media) and the articles produced makes sense for our business. John Trainor has fully taken over this responsibility from Dave Reburn and is working out very well. In saying this, they are always looking for articles which would be a good place for TIAA to start using this resource.

Walter Keating is President for a two year term. 1st Vice President is John Trainor and 2nd Vice President is Bob Fellows. Past President is Gerald Hodder.

The Technical Committee gave a report which mainly focused on the Best Practices Guide and building codes. It was also discussed and agreed upon to review the Denis Formula again to make sure we have everything covered. We also need to develop a link for the example portion to clearly define how the calculations work. This is planned for 2013.

Policies/Procedures and Bylaws were reviewed and will continue throughout the year with everyone's input on the Board. This will take a team effort but we believe is well worth it.

Mark Trevors

TIAA MEMBERSHIP - ON THE GROW!

TIAA would like to thank its member companies for their continued support of the association and involvement in the thermal insulation industry.

CONTRACTOR

ADLER INSULATION (2005) LTD.
AECON INDUSTRIAL WESTERN INC.
ALBERTA INSULATION SUP & SERVICES LTD.
ALBRICO KAEFER SERVICES LTD.
ALTAIR CONTRACTING ULC
BOOK INSULATIONS LTD.
C.J. METAL ERECTORS LTD.
CONNELLY INDUSTRIAL INSULATION SER. LTD.
CORNERSTONE INDUSTRIAL LTD
DEWAR WESTERN INC.
FULLER AUSTIN INC.
HADROB CONTRACTING LTD.
HALLBOOK ENTERPRISES LTD.
INSUL COVERS INC.
INTER CITY INSULATION LTD.
KANDREA INSULATION (1995) LTD.
MATKOVIC CONTRACTING LTD
MATKOVIC HOLDINGS LTD.
MAVERICK INSULATION AND
MAINTENANCE LTD.
NORTHERN INDUSTRIAL INSULATION
CONTRACTORS INC
PARK DEROCHIE INC.
PARKER KAEFER WESTERN LTD.
PRO INSUL LIMITED
PRO-TECH INSULATION
R & M INSULATION LTD.
REFLEX MANUFACTURING LTD.
REPPSCO SERVICES LTD.
SAFWAY SERVICES CANADA INC.
SILVERLINE INSULATION 2005 LTD
THERMAL SYSTEMS KWC INSULATION LTD.
THOMAS INSULATION INC
TRACER FIELD SERVICES CANADA LTD.
TRI WESTERN INSULATION LTD
VERTEX
WESTCAL INSULATION LTD.
WESTCOR SERVICES LIMITED
WESTERRA INSULATION INC.
WESTGATE INSULATION (1993) LTD.
WESTGLAS INSULATION LTD

SUPPLIER

ALBERTA HEAT SAVERS INC.
AMITY INSULATION GROUP INC
ARMACELL LLC
BARRIER INSULATION
BROCK WHITE CANADA COMPANY
CROSSROADS C & I DISTRIBUTORS INC
FIRWIN
IDEAL PRODUCTS OF CANADA LTD.
IHC FABRICATION
INDUSTRIAL INSULATION GROUP, LLC
ITW INSULATION SYSTEMS CANADA
JOHNS MANVILLE CORPORATION INC. CANADA
MANSON INSULATION PRODUCTS LTD.
NU-WEST CONSTRUCTION PRODUCTS INC.
PRICE MANUFACTURING CORP
ROXUL INC
SOL THERMAL CONSULTING INC
SPI/BURNABY INSULATION
TEMPRO TEC INC.
TOTAL-R INC
WESTERN VIKING SUPPLY INC.
WIL-THERM INSULATION INC.

AFFILIATE

NAIT INSULATION PROGRAM
SAIT INSULATION PROGRAM

HONOURARY

JOHN BINNINGER	CHUCK JOLICOEUR
DAVID BRAUND	DIETER MOHR
LLOYD BROWN	TERRY MONETTE
KEN CHAN	EUGENE PATRICK
NESTER EWANEK	GARY SADLER
MAURICE EWANEK	OZZIE SONNENBERG
JIM FLOWER	BILL STRICKLAND
GERRY GERMSCHIED	DOUG WILSON

